

# Orbiter 80 - Quick Setup and User Guide :

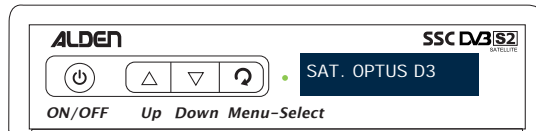


1. Connect and Setup the Orbiter 80 (with dual output LNB) as illustrated by the Diagram Below.
2. On the SSC HD Unit (Control unit / black box) press the "Power On" button.
3. By default OptusD3 (For VAST and PayTV) will be seen flashing on the SSC LCD screen and no other press of a button is required . If "OptusD3" is Not flashing , Keep Pressing the UP Button once at a time and Stop when you see "OptusD3" flashing on the LCD. The Dish will deploy Up and start searching , when "OptusD3 is found the LCD will display "Pointing OK" and the green LED will be on.
4. When finished Usage, Press the "Off" button to fold the Dish Down and to turn itself off completely.

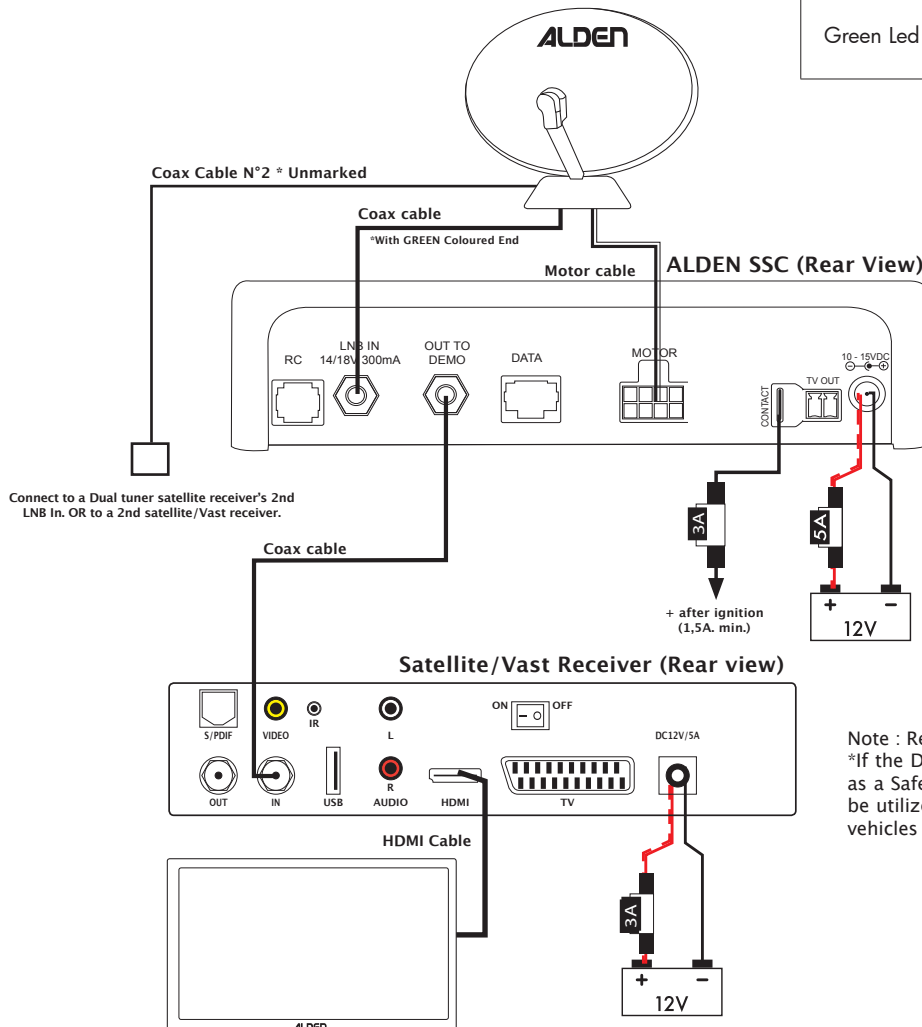
## Other relevant Information :

- a) 1st time (out of the box) or out of the same location area's (250km radius) satellite searches will result in longer "Pointing Ok" times, approx - 3 mins or so, subsequent same area searches approx- 1 minute.
  - b) When the Green LED is "On" the unit is in Standby mode and consumes approx- 4 watts power.
  - c) Other satellites selectable via the "Up" button. Set with 4 satellites and 4 Empty/Not used parameters in memory.
  - d) Skew (lnb rotation for current position) is automatically achieved via the units GPS, auto Skew Set function.
  - e) The LNB (twin Output) value used is 10700 \*Make sure your satellite receivers lnb value is set to 10700.
  - f) Every satellite is programmed with 3 transponder frequency settings in memory. The extra's are used as backups.
  - g) The OptusD3 satellite selection / parameter is the strongest and best to use with VAST and PayTV services.
  - h) If the OptusD3 selection in an area has persistent weak signal, try using the Optus C1 selection instead.
  - i) The satellite parameters are modifiable manually from the SSC units "Menu System" or by upgrading them via it's USB port.
- \*Simple and Quick Satellite parameters and firmware Upgrade via the usb port !

ALDEN SSC (Front View)



Designation	Function
	Switch the module on/off.
	Select the satellite/navigate in the menu.
	Close the dish/navigate in the menu.
	Access to the setting menu. SKEW option management.
Green Led	On: The S.S.C. is in stand by mode Off: The S.S.C. is off (Power intake = 0 Amps)



Note : Regarding the "+ after ignition" connection  
\*If the Dish is to be Permanently Installed on a RV Vehicle as a Safety measure it is highly recommended this feature be utilized as the dish Automatically folds down when the vehicles ignition key is turned on.